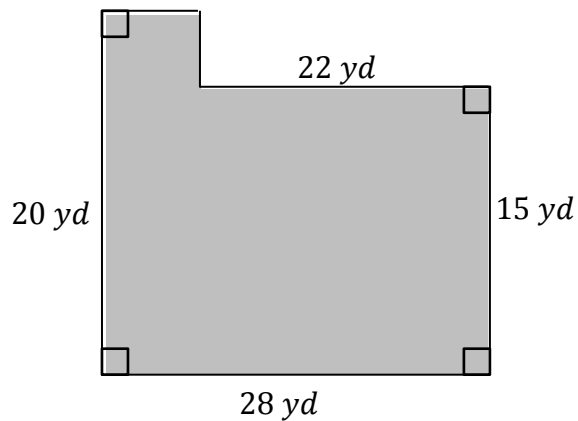


# NOTES 11.1 & 11.2

## COMPOSITE FIGURES

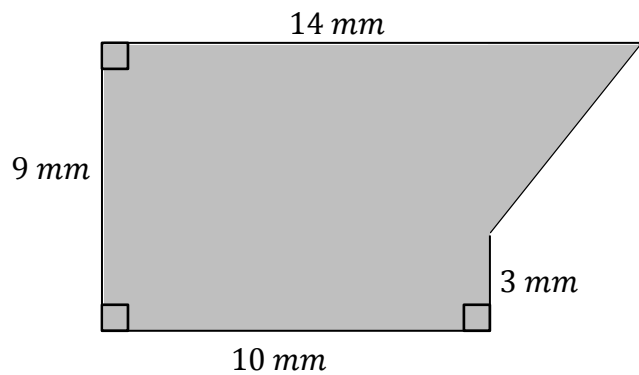
EXAMPLES: Find the shaded area.

1.



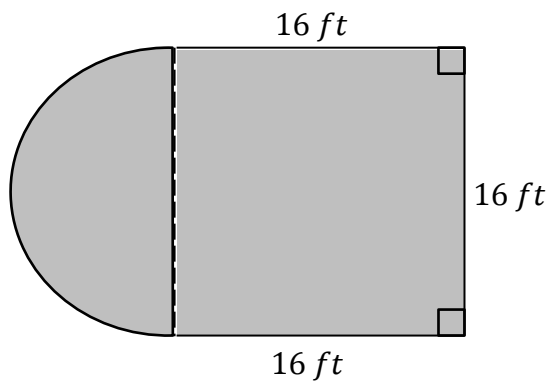
A = \_\_\_\_\_

2.



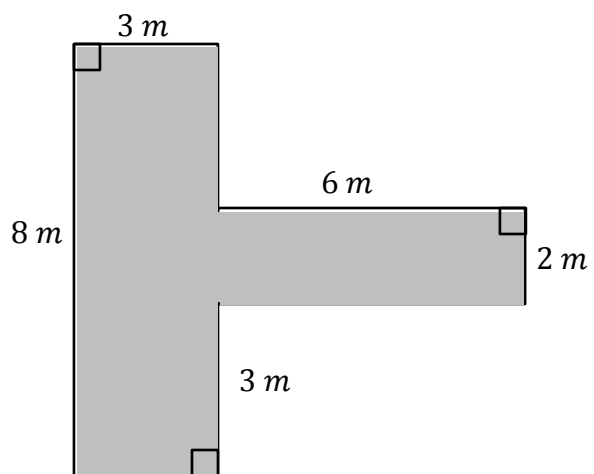
A = \_\_\_\_\_

3.



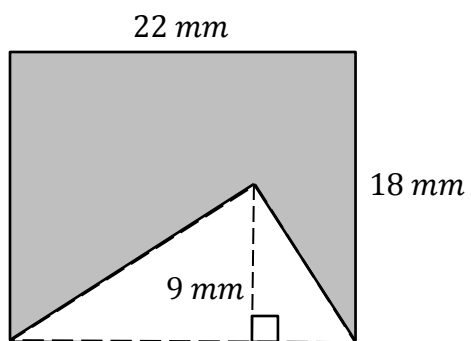
A = \_\_\_\_\_

4.



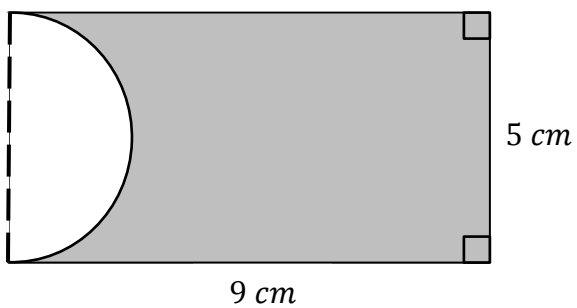
**A** = \_\_\_\_\_

5.



**A** = \_\_\_\_\_

6.



**A** = \_\_\_\_\_