

NAME _____

DATE _____

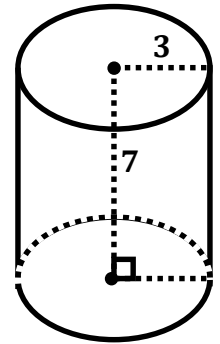
PER. _____

12.2/12.4b – LATERAL AREA, SURFACE AREA, & VOLUME OF CYLINDERSFor each of the following, find the EXACT *Lateral Area*, *Surface Area*, and *Volume*.

1. LA = _____

SA = _____

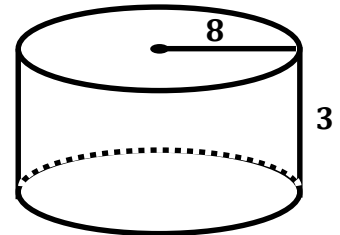
V = _____



2. LA = _____

SA = _____

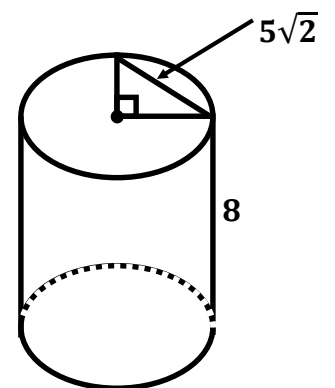
V = _____



3. LA = _____

SA = _____

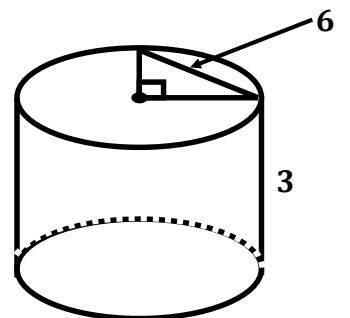
V = _____



4. LA = _____

SA = _____

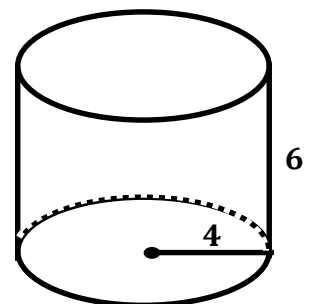
V = _____



5. LA = _____

SA = _____

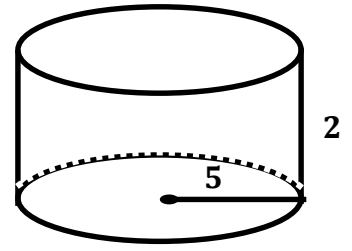
V = _____



6. LA = _____

SA = _____

V = _____



7. LA = _____

SA = _____

V = _____

A cylinder has a radius of 2 *in.* and a height of 5 *in.*

8. LA = _____

SA = _____

V = _____

A cylinder's radius and height are both 4 *cm.*

9. $h =$ _____

LA = _____

SA = _____

The volume of a cylinder is $63\pi \text{ in}^3$ and its radius is 3 *in.*

10. $r =$ _____

LA = _____

SA = _____

The volume of a cylinder is $45\pi \text{ cm}^3$ and its height is 5 *cm.*