

NAME _____ DATE _____ PER. _____

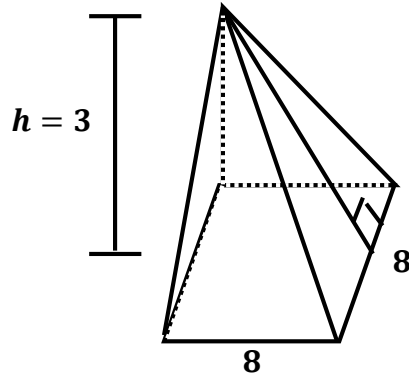
12.3/12.5 – LATERAL AREA, SURFACE AREA, & VOLUME OF PYRAMIDS

Find the *Lateral Area*, *Surface Area*, and *Volume* of each pyramid. The “I” indicates the height of the pyramid, where applicable.

1. LA = _____

SA = _____

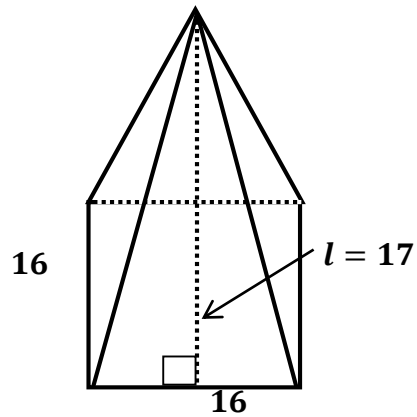
V = _____



2. LA = _____

SA = _____

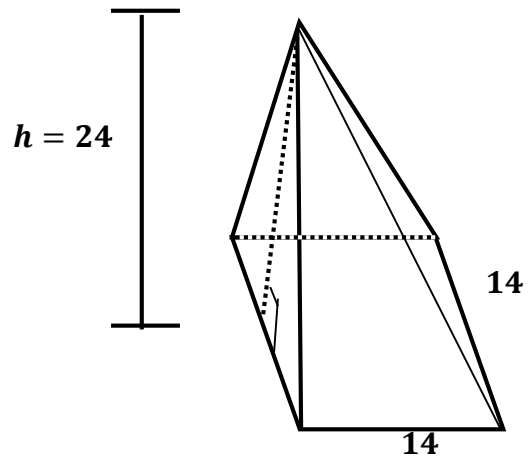
V = _____



3. LA = _____

SA = _____

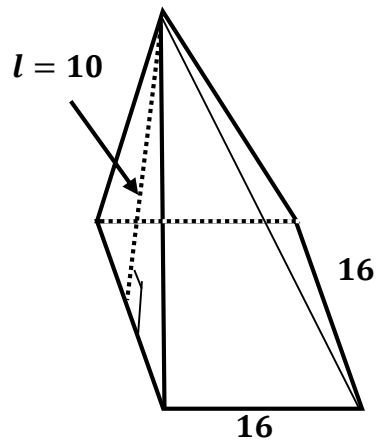
V = _____



4. LA = _____

SA = _____

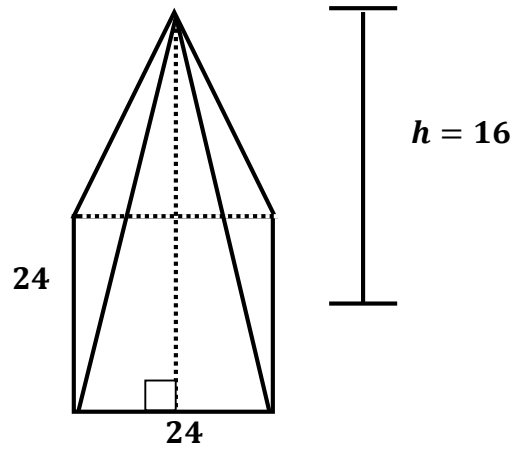
V = _____



5. LA = _____

SA = _____

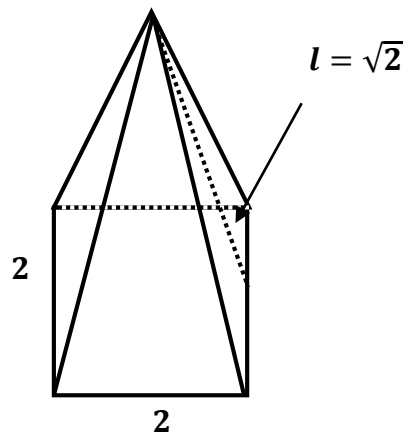
V = _____



6. LA = _____

SA = _____

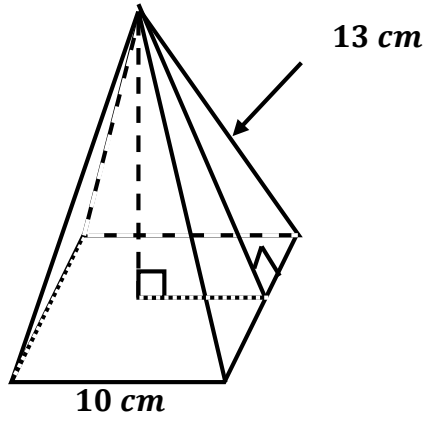
V = _____



7. LA = _____

SA = _____

V = _____



8. LA = _____

SA = _____

V = _____

