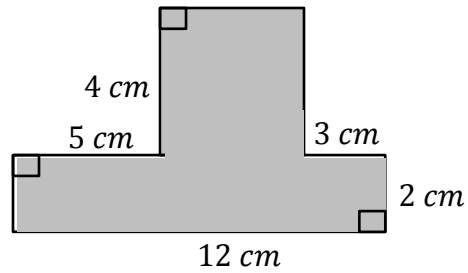


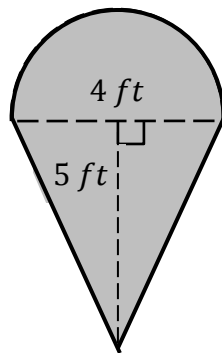
11.1 & 11.2 – COMPOSITE FIGURES

Find the shaded area. Leave answers exact. (No decimal answers.)

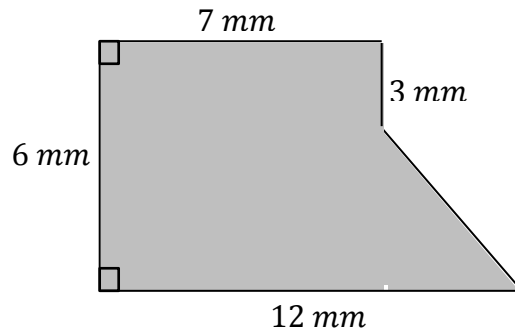
1.  $A =$  \_\_\_\_\_



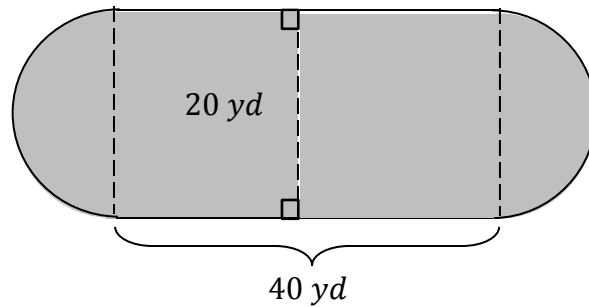
2.  $A =$  \_\_\_\_\_



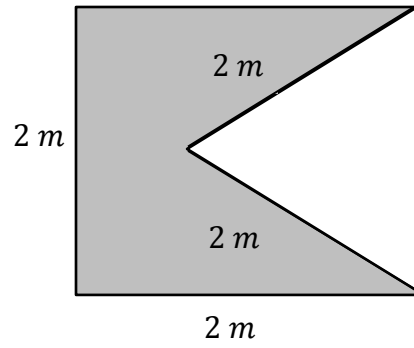
3.  $A =$  \_\_\_\_\_



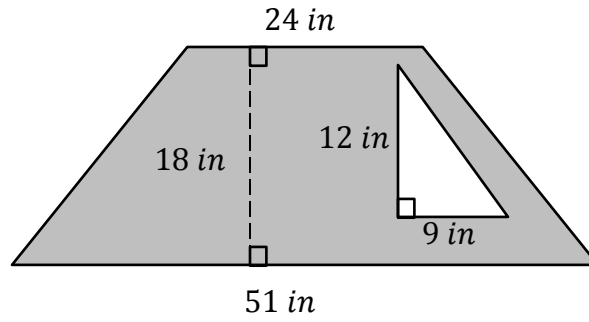
4.  $A =$  \_\_\_\_\_



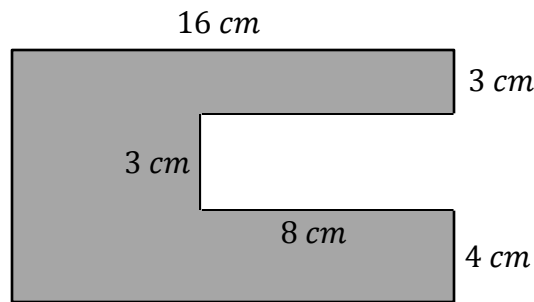
5.  $A =$  \_\_\_\_\_



6.  $A =$  \_\_\_\_\_



7.  $A =$  \_\_\_\_\_



8.  $A =$  \_\_\_\_\_

